

1500MHz SECTOR ANTENNA

TDJ-1500I

Panel Antenna

Technical Sheet



Applications

- 1500MHz communications system
- Wireless video system

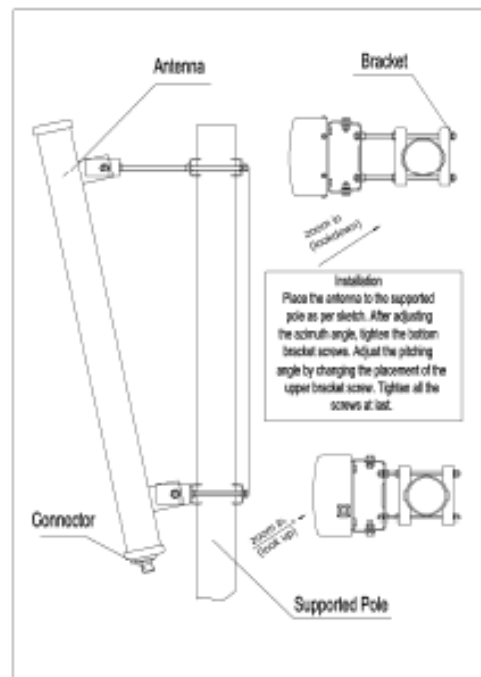
Features

- High gain, Low VSWR
- Easy to install
- Strong corrosion resistance ability
- Firm structure
- Vibration resistance
- Shock resistance

Specifications

Model	TDJ-1500I
Freq.Range-MHz	1400 to 1550
Bandwidth-MHz	150
Gain-dBi	12
Hor.Beamwidth-°	90
Ver.Beamwidth-°	22.5
F/B Ratio-dB	≥23
VSWR	≤1.5
Impedance-Ω	50
Polarization	Vertical
Max.Power-W	100
Connector	N Female
Dimensions-mm	600×175×60
Weight-Kg	6
Mast Diameter-mm	φ50 to 70

Installation Sketch



NAVTECH SYSTEMS Ltd

Sulby, Nr. Welford, Northamptonshire. NN6 6EZ. UK.

Telephone: +44 (0)1858 880 857 Fax: +44 (0)1858 880 859
sales@navtechsystems.co.uk www.navtechsystems.co.uk