

Navtech Systems GPS Devices

GPS Compass (With integrated antennas)



The Navtech NTS-HS102 GPS Compass provides TRUE heading from the GPS satellites. By simultaneous and coincident constellation tracking, two receivers with common processing derive the local GPS position, differential GPS corrections and heading with respect to True (geographic) North.

By using high precision differential carrier phase measurements from the internal antennas, heading accuracies to better than 0.5 degrees can be achieved

For dynamic applications tilt and turn rate sensing (gyro) aiding is included, configured by user commands. ***This provides high accuracy pitch roll, yaw & heading measurements for a fully comprehensive attitude sensor.***

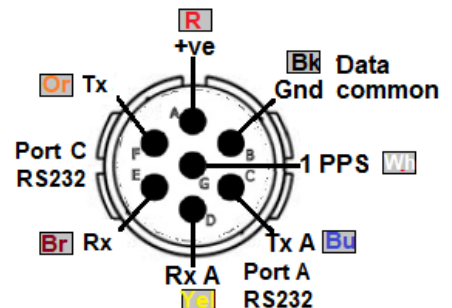
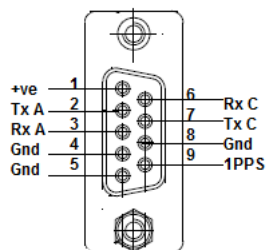
A robust and comprehensive user interface with an isolated dc/dc power converter, RF signal path processing and dual port RS232 drivers provides a versatile heading sensor for a variety of applications that is not affected by magnetic deviation influences or variation offsets.

Integrated GPS antennas provide for a complete True North compass solution with only power and the data interface connections.

Specifications:

- Power:** 6 to 36 volts dc (3 watts)
Interface: Port A RS232 configurable baud rate (default 19,200)
Port C RS232 configurable baud rate (default 19,200)
Each port can output NMEA Messages \$GPGGA, VTG, ZDA, RMC, GSV & \$HEHDT,\$HEROT, \$PSATHPR (heading, pitch & roll)+ Binary data – all configurable to user requirement.
- Dimensions:** 39 x 12 x 3.2 cm, Weight: 1.2Kg
- Environmental:** NTS-HS102-(C) = IP51 with D connector underside
NTS-HS102-(IP51) = IP51with D connector along edge
NTS-HS102-(IP66) = IP66 with Mil style connector underside.

Connections: Power & data: Mil 7 pin, (optional 9 way D):-



Navtech Systems Limited

Sulby, Nr. Welford, Northamptonshire. NN6 6EZ. UK.

Telephone: +44 (0)1858 880 857 Fax: +44 (0)1858 880 859

E-mail: sales@navtechsystems.co.uk

Web: www.navtechsystems.co.uk